

# Replacing A Round Trampoline Bed

## A 'HOW TO' GUIDE



Adult installation required

Read User Guide before installation

Please keep this guide for further reference

**SUPER TRAMP**  
Part of the Family - Est 1983

Tel: +44 (0)1884 675801 | [www.supertramp.co.uk](http://www.supertramp.co.uk) | [sales@jetsports.co.uk](mailto:sales@jetsports.co.uk)

# Replacing your Round Trampoline Bed

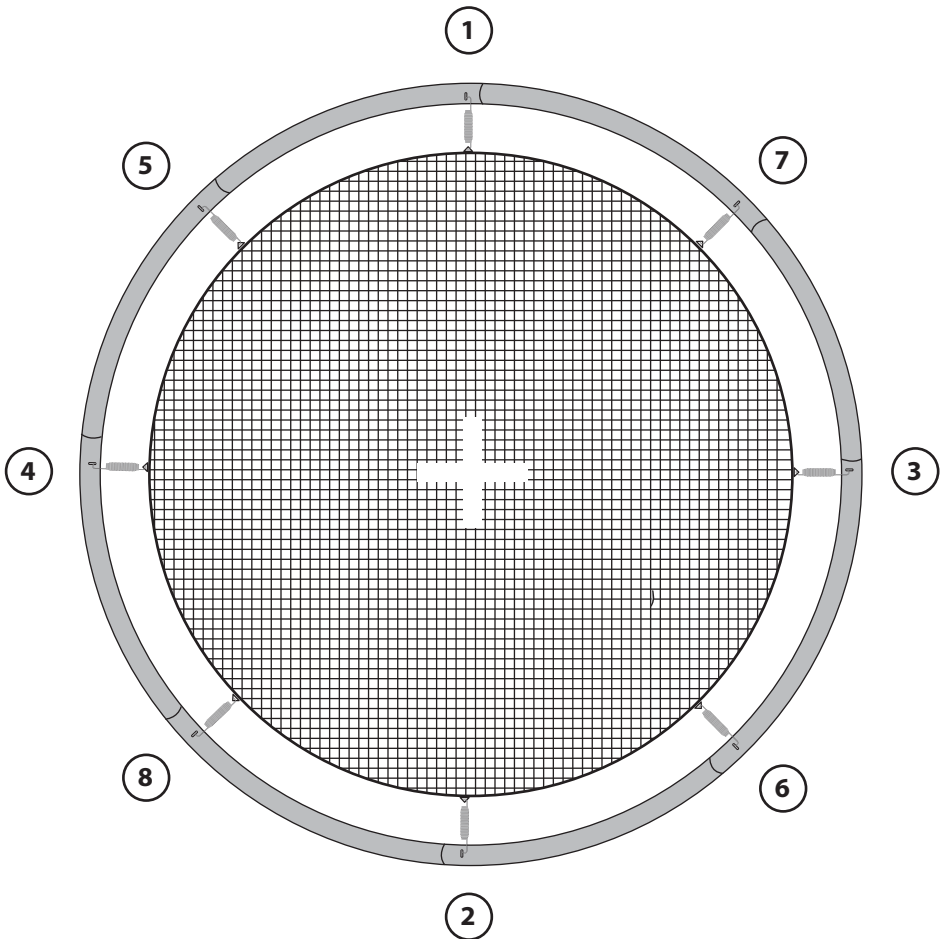
## STEP

1

First, you will need to remove your old bed from the trampoline.

Begin by removing a spring from the frame using a spring tool, then cross over to the other side of the trampoline and remove the opposite spring. Continue this process of creating a mirror image on each opposite side because this process helps to evenly distribute the tension through the bed, making the spring removal process much easier.

Use the diagram below for reference.



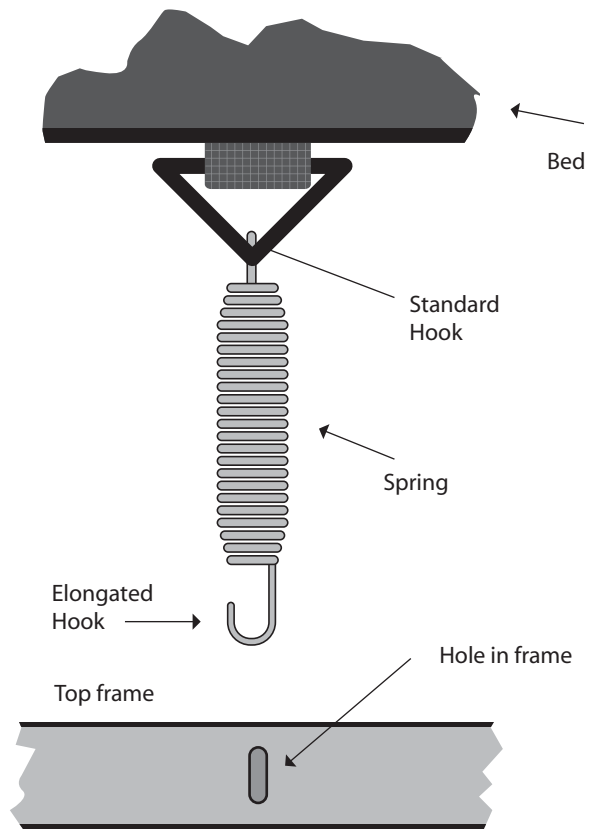
## STEP

# 2

Remove the packaging from your new bed and unfold it on the ground inside the trampoline frame. Make sure the painted markings are facing upwards.

### N.B

Please note that the elongated hook on the spring goes into the frame, whilst the standard hook fits onto the steel bed triangle.



Using a Spring Tool



## STEP

### 3

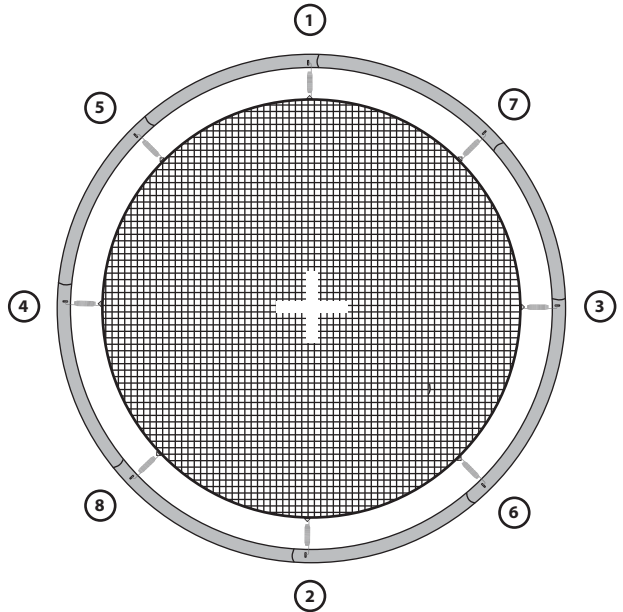
Using the diagram below as an example, begin to fit the new bed to your trampoline at points 1-8.

You should work at opposites at all times to evenly distribute the tension through the bed.

Each spring should first hook onto the bed via the standard hook before using the spring tool to fit the elongated hook into the frame.

As tension builds through the bed, you may wish to use your hand to push down on the body of the spring until it slots into the frame.

Continue this process until all springs are fitted, as demonstrated in the diagram below.



## STEP

### 4

Reattach the trampoline frame pads.

